

CATALOGUE

D A T A

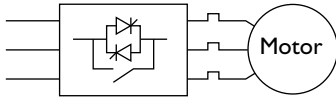
CSX Series Soft Starters



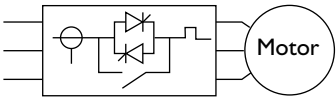
AuCom

AuCom's new CSX Series includes two ranges. Users can choose between a simple soft start control device and an advanced soft start system complete with motor protection. This choice allows selection of a soft start product best suited to an individual application.

The CSX range is a TVR system that provides soft start and soft stop functionality in a very compact frame.

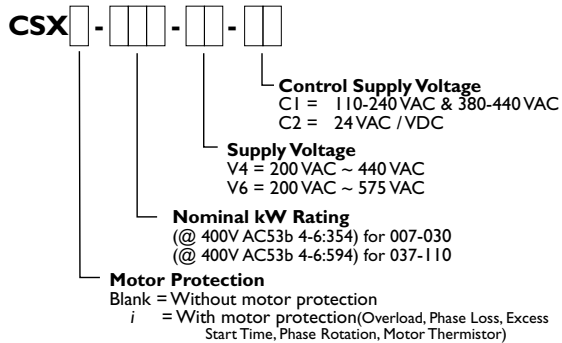


The CSXi range is a Constant Current system with current measurement and control. It provides a range of motor protection functions in addition to soft start and soft stop.



Power Range 7.5kW~110kW @ 400V
Supply Voltage 3 x 200~440 VAC or
 3 x 200~575 VAC

Supply Frequency 45Hz~66Hz
Control Voltage 110~240VAC, 380~440 VAC or
 24 VAC / VDC



- Compact design, small footprint
- Simple set-up and installation
- Built-in bypass contactor
- Excellent start ratings and duty
- IP20 up to 55kW
- DIN rail mounting up to 30kW
- CE, UL, C-UL, C✓ approvals

FEATURE SET

	CSX	CSXi
Starting		
TVR (Timed voltage ramp)	✓	
Constant Current		✓
Current Ramp		✓
Stopping		
Soft Stop	✓	✓
Protection		
Motor Overload		✓
Phase Imbalance		✓
Phase Sequence		✓
Excess Start Time		✓
Motor Thermistor		✓
Supply Fault	✓	✓
Shorted SCR	✓	✓
LED Indication		
Ready/Tripped	✓	✓
Running/Starting-Stopping	✓	✓
Fault Code	✓	✓
Relay Outputs		
Main Contactor	✓	✓
Run		✓
Tripped		✓
Options & Accessories		
Remote Operator	✓	✓
4-20mA Output		✓
PC Software	✓	✓
AS-i	✓	✓
Modbus RTU	✓	✓
Profibus	✓	✓
DeviceNet	✓	✓

Model	kW	Height mm	Width mm	Depth mm
007	7	203	98	163
015	15			
018	18			
022	22			
030	30			
037	37	215	145	191
045	45			
055	55			
075	75			
090	90	240	202	212
110	110			

